

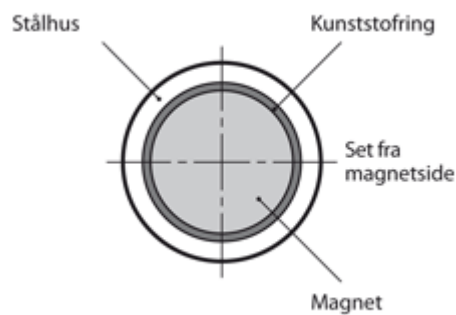
# Data Sheet



Article number: 201221382A

Description: E+G Magnet - female thread GN 50.2-SC-6-M3  
SC Samarium cobalt, 200°C, 5N

## Measures



$d_1$  =  $6 \pm 0,1$

$d_2$  = M3x7

$d_3$  =  $6 \pm 0,1$

$h$  =  $4,5 \pm 0,1$

Holding force N = 5

Material = SC Samarium cobalt - 200° C

$t$  = 6